

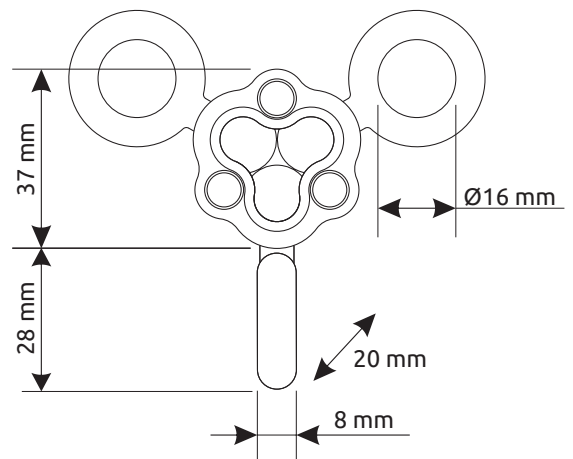
A compact and extremely versatile rigging system featuring our triple swivel design.

The Gyro3 rotates at all three connection points which allows for countless possibilities of connection between different elements that need freedom of movement. Just a few possibilities include: self-orienting multi-anchoring, multiple connections to a harness, preventing twisting in Y lanyards, cross-hauling operations, Tyrolean traverses, complex rescue procedures. The innovative design also prevents the accumulation of dirt and makes inspection easy.

Main structure is carbon steel with a double corrosion preventive coating. Swivel balls and attachment points are stainless steel. Includes three removeable silicon anti-rotation inserts.

Working load limit: 3 kN. Minimum breaking strength: 26 kN.

2022 UPDATE: new name (GYRO3 instead of GYRO).



| Ref. | Product name | Weight |     | Strength | Working load Max | Hole diameter | CE           | ANSI    | EN |
|------|--------------|--------|-----|----------|------------------|---------------|--------------|---------|----|
|      |              | g      | oz  | kN       | kg               | mm            |              |         |    |
| 2940 | GYRO3        | 155    | 5.5 | 26       | 300              | 3 x Ø16       | PPE-R/11.135 | Z359.12 | •  |

## GYRO ANTI-ROTATION INSERTS

3268 kit 10 pcs

Spare silicon anti-rotation inserts, compatible with all Gyro swiveling devices.  
Package of 10 pcs.



| Ref. | Product name                          | Weight    |            |
|------|---------------------------------------|-----------|------------|
|      |                                       | g         | oz         |
| 3268 | GYRO ANTI-ROTATION INSERTS KIT 10 PCS | 2 (1 pcs) | 0.1 (1pcs) |

